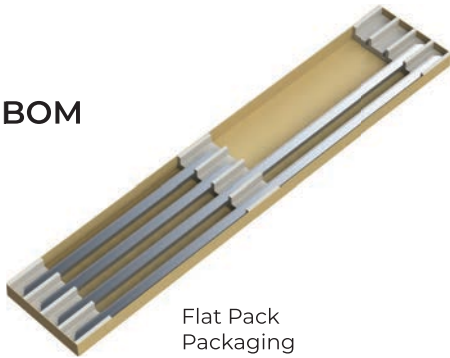




### BOM



Flat Pack Packaging



Standard L Bracket x8



Flat Base (if applicable)



Flat Head Allen Bolt (if applicable)



Washer (if applicable)



Allen Key 3mm X1



Flat Fitting (if applicable)



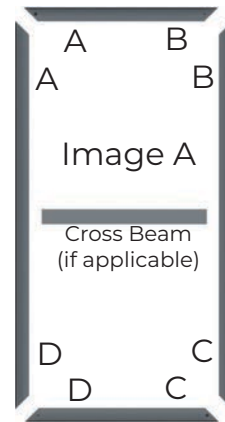
Wing Nut (if applicable)



Allen Key 5mm X1 (if applicable)

### STEP 1

Place the frame lengths flat on a clean surface, matching the corners as per **Image A**.



### STEP 2

Insert two L Brackets into the profile channels on each side for each corner, as per **Image B**.



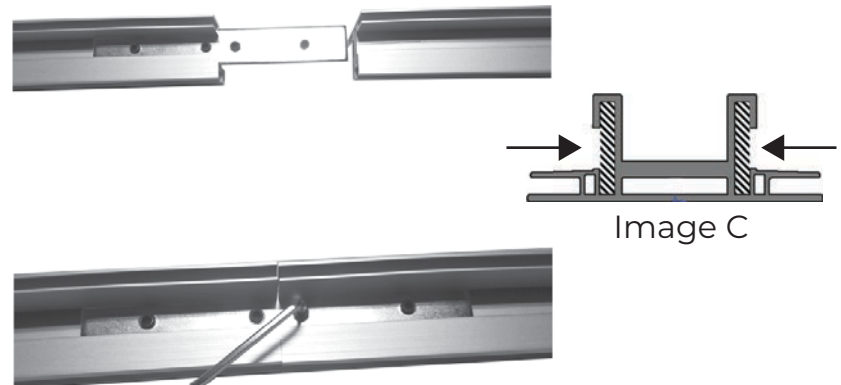
### STEP 3

Secure each corner in place by tightening the set screws with the provided Allen key.



### STEP 4 (if applicable)

Place two flat fittings in the center of the profile channels, as per **Image C** between the two profile lengths. Join the profile lengths together and secure them by tightening the set screws.





### STEP 5 (if applicable)

Insert the Cross Beam lock system into the channel of the frame and center the cross beam to the arrow marked on the sticker attached to the profile.



### STEP 6 (if applicable)

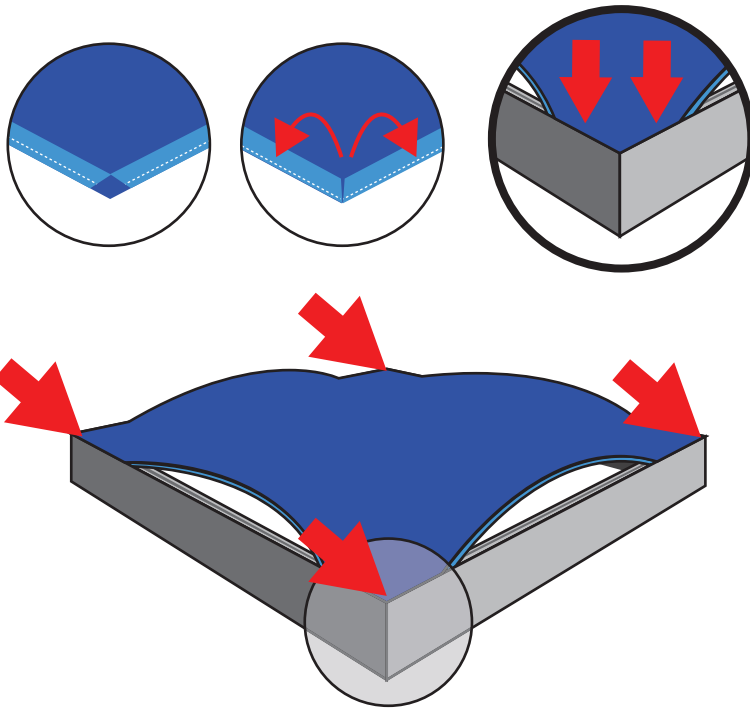
Secure the cross beam in place by tightening the set screw with the provided Allen key.



### STEP 7 (if applicable)

Insert the Flat Head Allen Bolt through the Flat Base and frame. Place a washer on the Allen Bolt, then secure by tightening the Wing Nut.



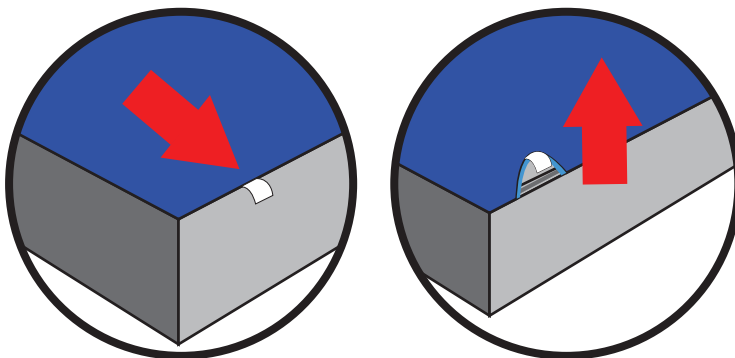
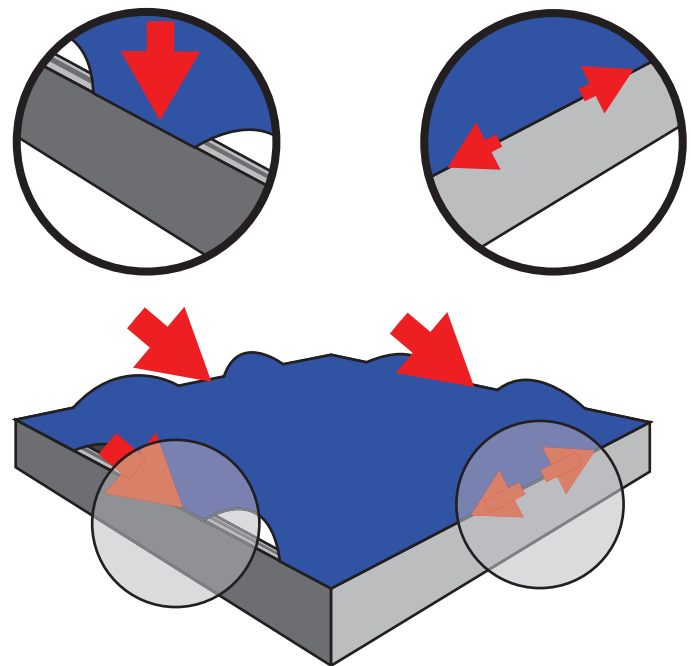


### STEP 1

Begin by folding **Corner A** of the graphic, ensuring the silicone strip faces downward with the fabric wrapped over it. Carefully insert the silicone edge into the corresponding corner of the frame. Repeat for **Corner C**, then move to **Corner B**, followed by **Corner D** to complete the installation of all corners.

### STEP 2

Insert the silicone strip at the mid-point of all four sides. Then, work outward from each mid-point toward the corresponding corners to complete the installation.



### GRAPHIC REMOVAL

Locate the pull tab and gently pull up on the tab.